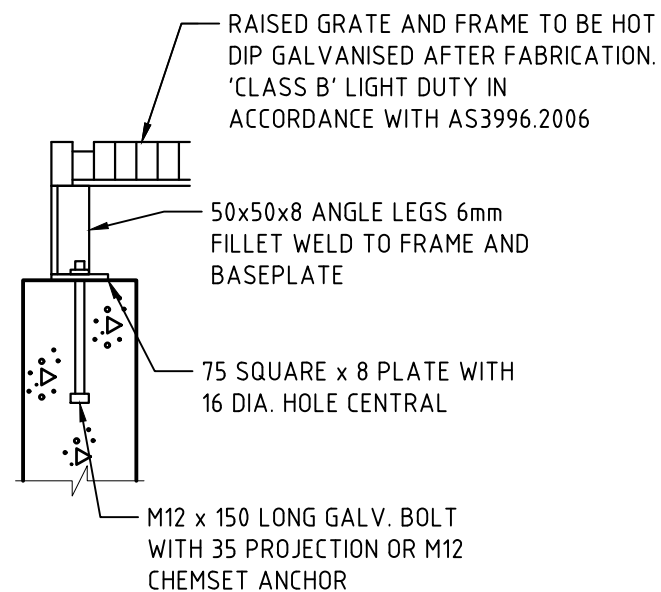
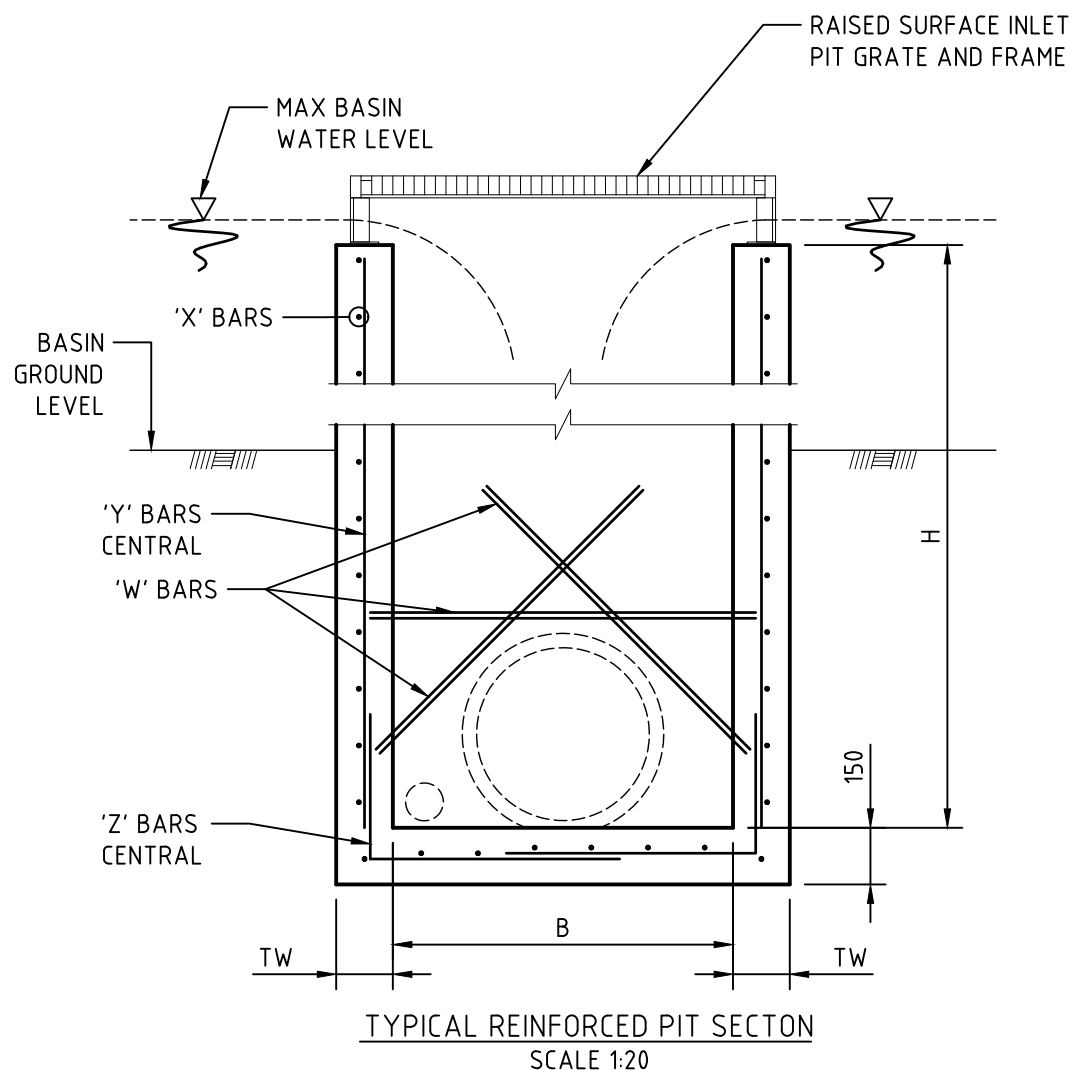


B	H (MAX)	TW	C	R (MIN)	'W' BARS	'X' BARS	'Y' BARS	'Z' BARS
300	-	-	-	-	-	-	-	-
450	-	-	-	-	-	-	-	-
600	900	150	730	55	-	-	-	-
900	1500	150	1020	75	-	-	-	-
900	3500	150	1020	75	2-N12	N12-200xx	N12-200	N12-200
900	6000	150	1020	75	2-N12	N12-150xx	N12-150	N12-150

xx DENOTES L-BARS WITH 300 LAP

NOTES

1. THESE DRAWINGS SHALL BE READ IN CONJUNCTION WITH COUNCIL'S INFRASTRUCTURE SPECIFICATIONS.
2. ALL DIMENSIONS ARE IN MILLIMETRES.
3. CONCRETE FOR UNREINFORCED PITS:
- 25 MPa GRADE N25:80:10 IN ACCORDANCE WITH AS1379 AND AS3600.
CONCRETE FOR REINFORCED PITS:
- 40 MPa GRADE N40:80:10 IN ACCORDANCE WITH AS1379 AND AS3600.
4. CONCRETE FINISHES:
- ALL PEDESTRIAN OR TRAFFICABLE AREAS TO BE NON-SLIP WOOD FLOAT OR BROOM FINISH WITH ALL EXPOSED EDGES ROUNDED TO 5 RADIUS. OTHER EXPOSED SURFACES TO BE OFF STEEL FORM QUALITY.
5. STEEL REINFORCEMENT TO BE GRADE 500 TO AS/NZS4671 GRADE D500N.
6. PITS DEEPER THAN 600 TO BE FITTED WITH STEP IRONS AND 300 CENTRES TO AS1657.
7. MIN 90Ø SN20 SUBSOIL DRAINAGE PIPE 3000 LONG WRAPPED IN FABRIC SOCK TO BE PROVIDED ADJACENT TO INLET PIPES.
8. FOR DETAILS OF CONCRETE AND STEEL REINFORCEMENT FOR PITS GREATER THAN 1.5 METRES IN DEPTH SEE TABLE B.
9. FOUNDING MATERIAL TO ACHIEVE A MINIMUM ALLOWABLE BEARING CAPACITY OF 150KPa.



ACKNOWLEDGEMENT:
PORT STEPHENS COUNCIL ACKNOWLEDGES THE ASSISTANCE OF THE CITY OF NEWCASTLE IN THE DEVELOPMENT OF THIS DRAWING.

SR PCG - STANDARDS REVIEW PROJECT CONTROL GROUP
ASM - ASSET SECTION MANAGER

Date	Amendment	Rev	By	Approved
12.05.26	ISSUED FOR CONSTRUCTION	0	SR PCG	ASM



Project:	STANDARD DETAILS
EDRMS No:	PSC2016-01993-005
Drawing Title:	BASIN 'OFF-TAKE' PIT

APPROVED		Revision:
SHEET No:		0
SW-123		Date:
		12.05.26
		Sheet Size:
		A3