

TYPICAL RAISED TOP PIT PLAN
SCALE 1:20

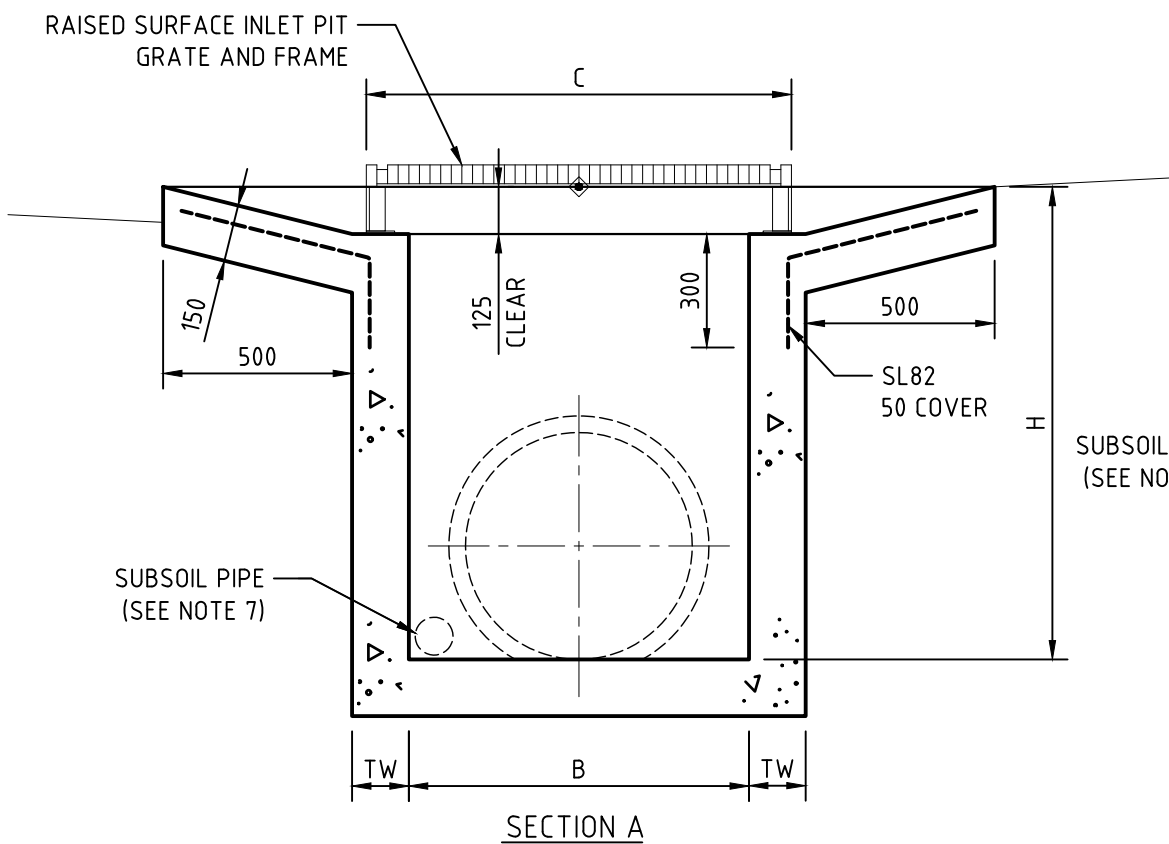
PROVIDE 4x100 ϕ BOLLARDS TO PIT SKIRTS REFER TO STANDARD BOLLARD DETAILS

B	H (MAX)	TW	C	R (MIN)	'W' BARS	'X' BARS	'Y' BARS	'Z' BARS
300	-	-	-	-	-	-	-	-
450	-	-	-	-	-	-	-	-
600	900	150	730	55	-	-	-	-
900	1500	150	1020	75	-	-	-	-
900	3500	150	1020	75	2-N12	N12-200xx	N12-200	N12-200
900	6000	150	1020	75	2-N12	N12-150xx	N12-150	N12-150

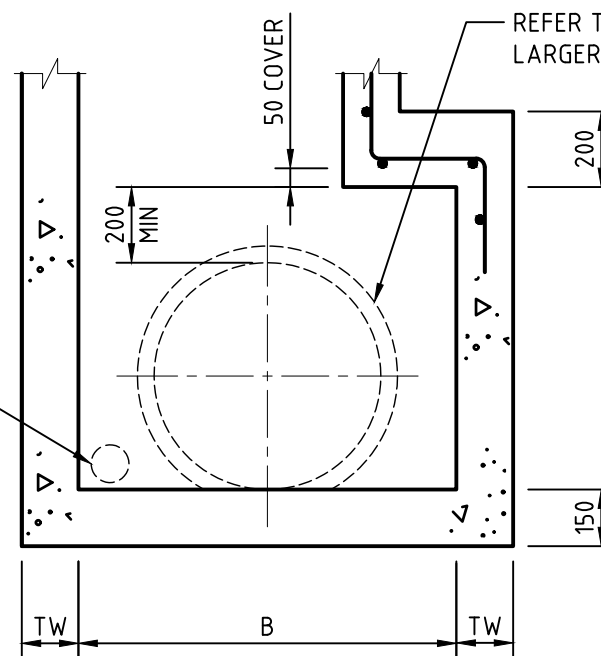
xx DENOTES L-BARS WITH 300 LAP

NOTES

- THESE DRAWINGS SHALL BE READ IN CONJUNCTION WITH COUNCIL'S INFRASTRUCTURE SPECIFICATIONS.
- ALL DIMENSIONS ARE IN MILLIMETRES.
- CONCRETE FOR UNREINFORCED PITS:
- 25 MPa GRADE N25:80:10 IN ACCORDANCE WITH AS1379 AND AS3600.
- CONCRETE FOR REINFORCED PITS:
- 32 MPa GRADE N32:80:10 IN ACCORDANCE WITH AS1379 AND AS3600.
- CONCRETE FINISHES:
- ALL PEDESTRIAN OR TRAFFICABLE AREAS TO BE NON-SLIP WOOD FLOAT OR BROOM FINISH WITH ALL EXPOSED EDGES ROUNDED TO 5 RADIUS. OTHER EXPOSED SURFACES TO BE OFF STEEL FORM QUALITY.
- STEEL REINFORCEMENT TO BE GRADE 500 TO AS/NZS4671 GRADE D500N.
- PITS DEEPER THAN 600 TO BE FITTED WITH STEP IRONS AND 300 CENTRES TO AS1657.
- MIN 90 ϕ SN20 SUBSOIL DRAINAGE PIPE 3000 LONG WRAPPED IN FABRIC SOCK TO BE PROVIDED ADJACENT TO INLET PIPES.
- ALL PITS ARE TO BE ADEQUATELY STREAMLINED AND BENCHED.
- FOR DETAILS OF CONCRETE AND STEEL REINFORCEMENT FOR PITS GREATER THAN 1.5 METRES IN DEPTH SEE TABLE B.
- FOUNDING MATERIAL TO ACHIEVE A MINIMUM ALLOWABLE BEARING CAPACITY OF 150KPa.

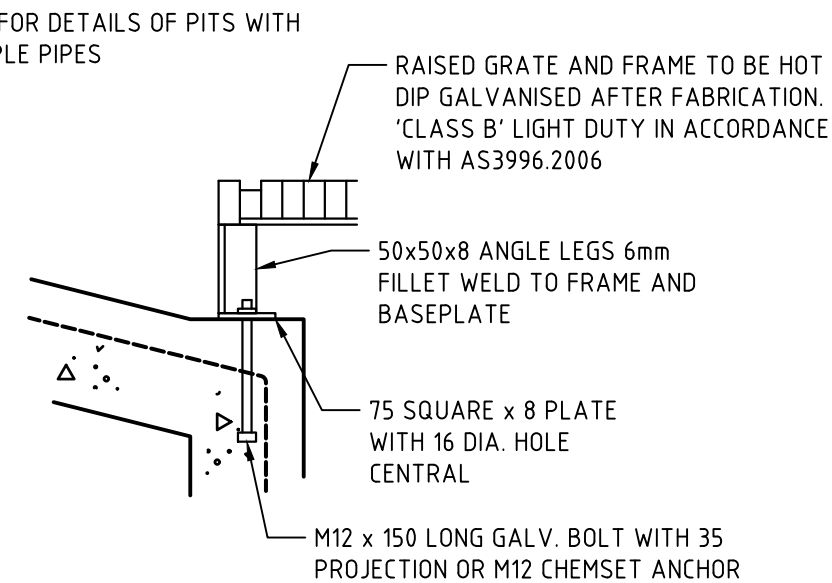


SECTION A



TYPICAL SECTION
SCALE 1:20

LARGE OR MULTIPLE PIPES
PIPES UP TO 1200 DIAMETER



TYPICAL DETAIL
SCALE 1:10

ACKNOWLEDGEMENT:
PORT STEPHENS COUNCIL ACKNOWLEDGES THE ASSISTANCE OF THE CITY OF NEWCASTLE IN THE DEVELOPMENT OF THIS DRAWING.

SR PCG - STANDARDS REVIEW PROJECT CONTROL GROUP
ASM - ASSET SECTION MANAGER

Date	Amendment	Rev	By	Approved
12.05.26	ISSUED FOR CONSTRUCTION	0	SR PCG	ASM



Project:	STANDARD DETAILS
EDRMS No:	PSC2016-01993-005
Drawing Title:	INLET AND SURCHARGE PIT WITH APRON NON TRAFFICABLE RAISED TOP

APPROVED		Revision:
SHEET No:		0
SW-121		Date:
		12.05.26
		Sheet Size:
		A3