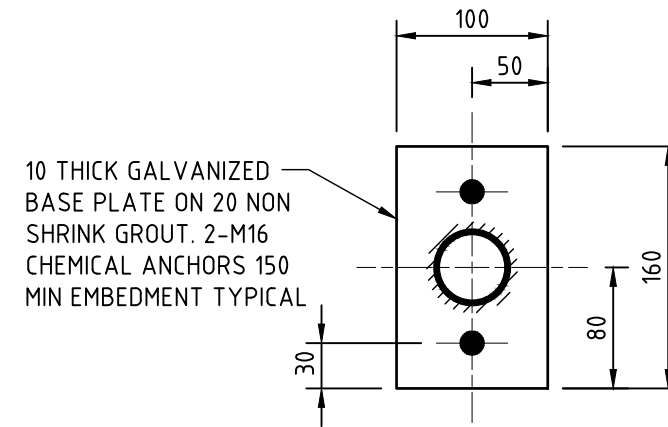
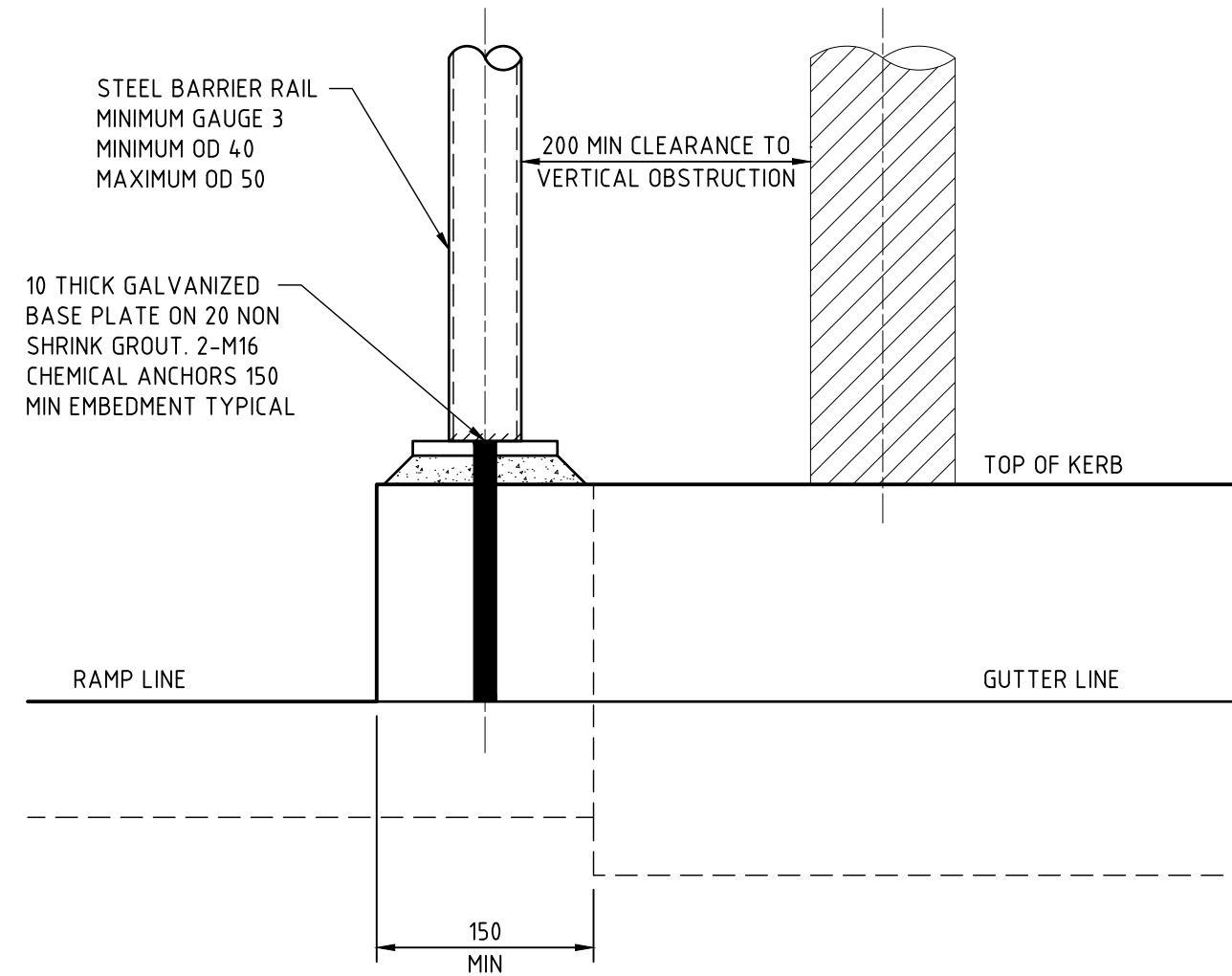


(REFER TO NOTE 5)  
**BARRIER RAIL IN-LIEU OF WING**  
SCALE 1:20

REFER TO SHEET 3 FOR NOTES



**TYPICAL BASEPLATE PLAN DETAIL**  
SCALE 1:5



**TYPICAL BASEPLATE ELEVATION DETAIL**  
SCALE 1:5

ACKNOWLEDGEMENT:  
PORT STEPHENS COUNCIL ACKNOWLEDGES THE  
ASSISTANCE OF THE CITY OF NEWCASTLE IN THE  
DEVELOPMENT OF THIS DRAWING.

SR PCG - STANDARDS REVIEW PROJECT CONTROL GROUP  
ASM - ASSET SECTION MANAGER

Date	Amendment	Rev	By	Approved
10.04.26	DETAILS UPDATED	1	SR PCG	ASM
20.06.24	ISSUED FOR CONSTRUCTION	1	SR PCG	ASM



Project: STANDARD DETAILS

EDRMS No: PSC2016-01993-005

Drawing Title: FOOTWAY KERB RAMPS  
SHEET 4 OF 4

**APPROVED**

SHEET No:

**PC-203**

Revision:

1

Date:

10.04.26

Sheet  
Size: A3