

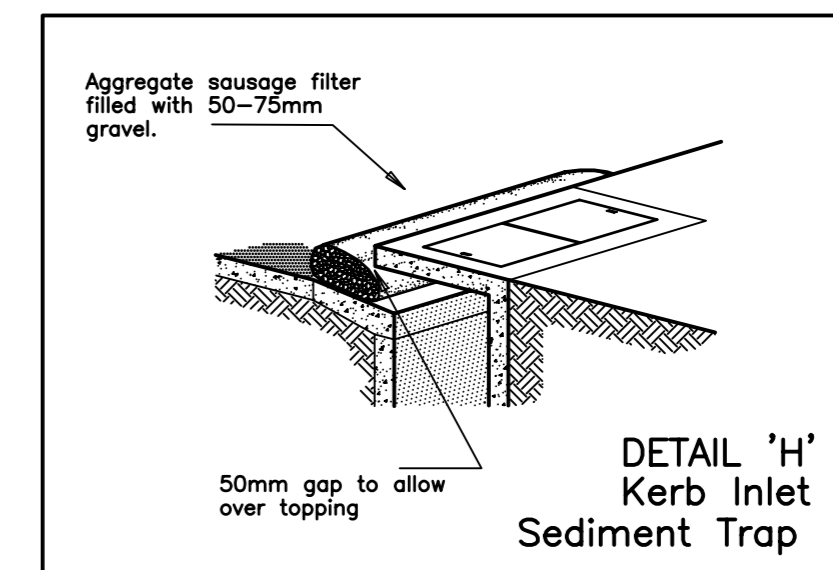
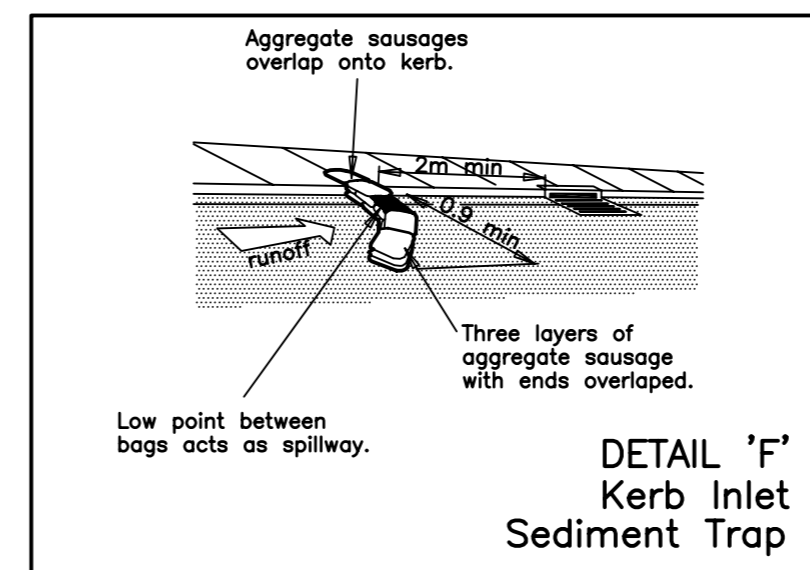
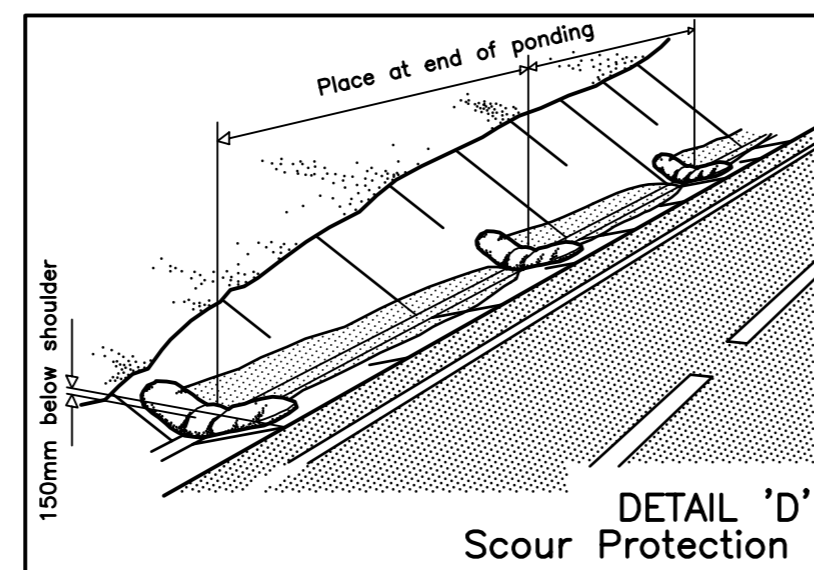
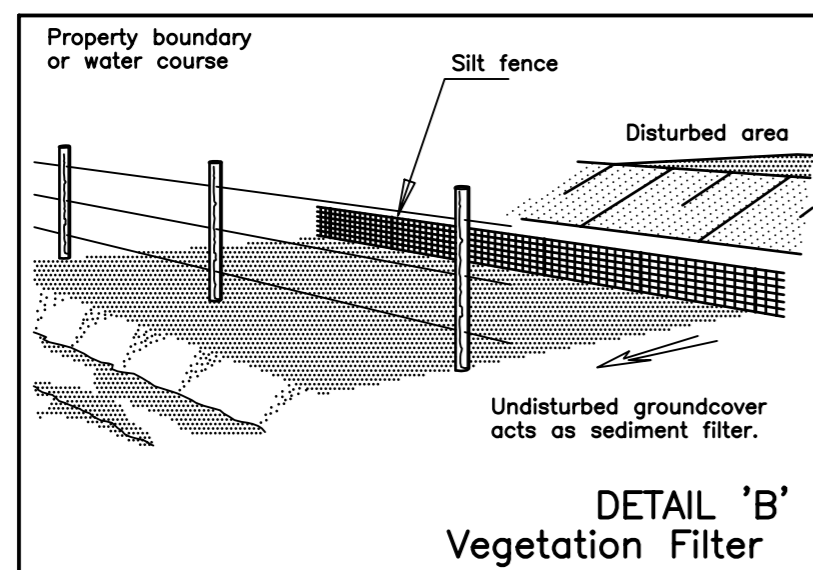
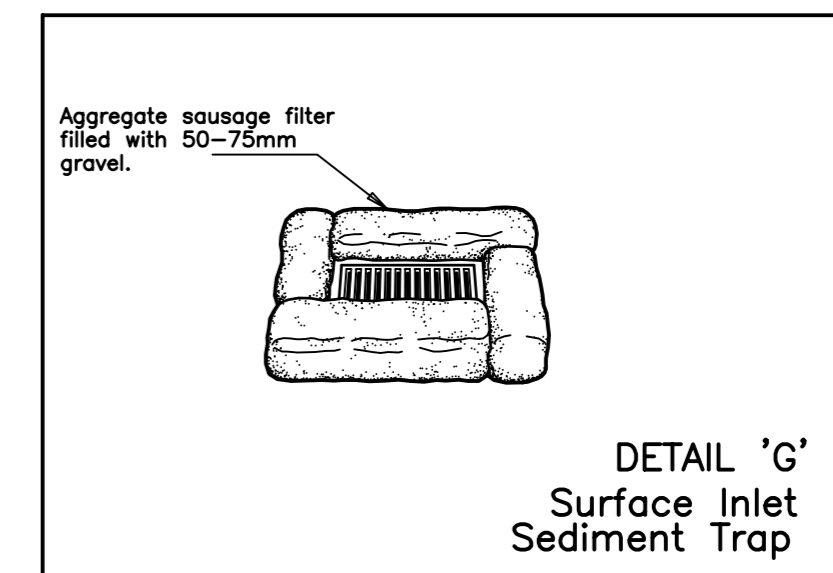
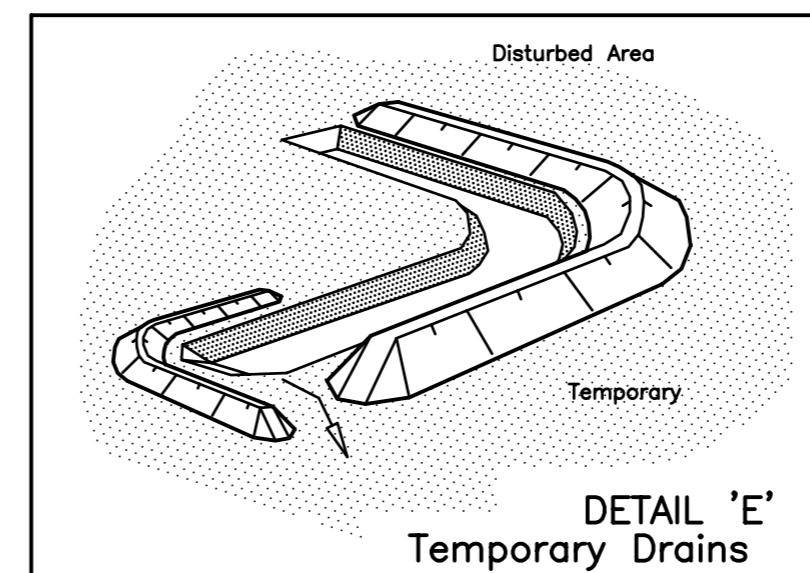
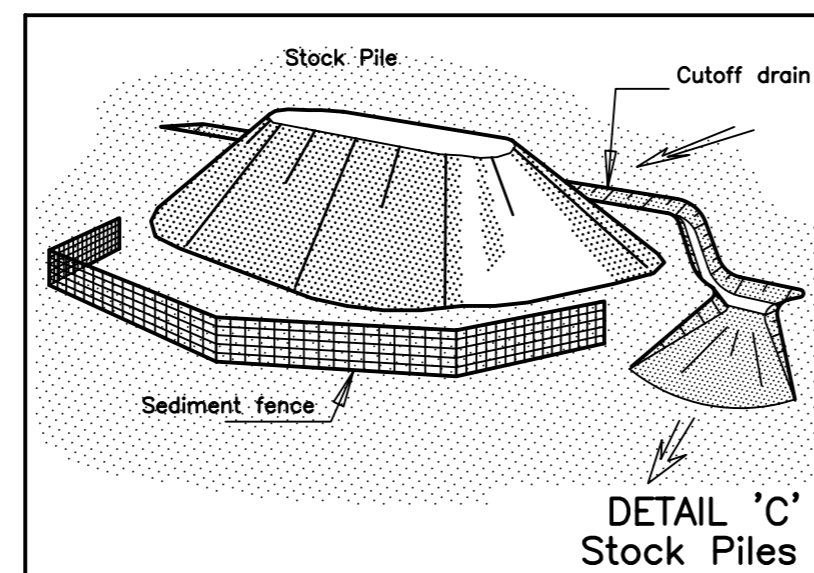
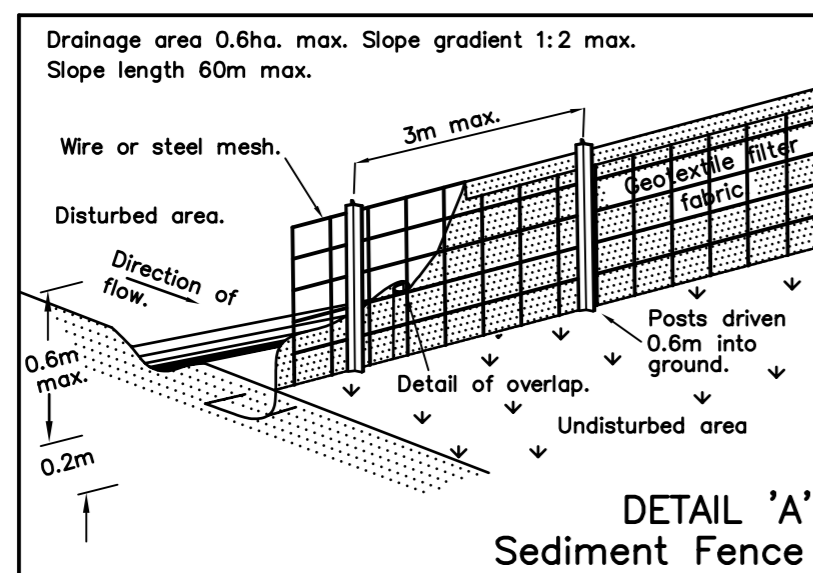
Date	Amendment	Officer	Date	Amendment	Officer

E&S CONTROL MEASURES – SITE

- PERIMETER FENCING (Detail 'A')**
Erect & maintain sediment fences along all boundaries downstream of disturbed areas. Ensure sufficient clearance between boundary fence & sediment fence to allow maintenance vehicle access.
- VEGETATION FILTER STRIPS (Detail 'B')**
Maintain a vegetation filter strip of existing ground cover & bush above work site boundaries & along water courses.
- STOCK PILE MANAGEMENT (Detail 'C')**
All stock piles are to have siltation fencing erected downstream & cut off drains upstream to divert surface flow around them. Stock piles are to be sited with consideration to effects of siltation fence failure, slump, access & damage to vegetation cover during placing and recovery operations.
- CONTROLLED ACCESS POINTS**
Site access is to be defined & sign posted prior to construction. Temporary pavements & drainage structures are to be sited where runoff can be contained & disposed of through controlled measures. All access sites are to be restored after completion of works.
- MAINTENANCE OF E&S MEASURES**
All E&S measures are to be inspected, maintained & cleaned at regular intervals & following rain events.

E&S CONTROL MEASURES – WORKS

- VEGETATION**
REMOVAL – Mark boundaries of work site & access points to prevent damage to vegetation – Clearing to be restricted to formation areas & work site. Cleared vegetation to be wind rowed along contours.
SEEDING – All disturbed areas (permanent or temporary) to be rolled & seeded within 7 days – sterile cover crop.
– local native seed (native grasses, shrubs – depending on location).
- DRAINS (Detail 'D'&'E')**
Temporary or staged drains are to be provided during construction to control sheet flow over disturbed areas & direct runoff to sediment control measures. Provide scour protection in all drains (Detail 'D'). Catch drains are to be cut upstream of fills to prevent the loss of imported materials.
- OUTLETS (Detail 'E'&'F')**
Outlets to temporary drains are to be sited in areas where slopes allow dissipation of flows without scour. Steep or sensitive sites will require sedimentation collection measures be constructed prior to starting works. Control measures to be placed downstream of the outlet as required.
- EXISTING INLET PIT (Detail 'G'&'H')**
Existing inlet pits are to be treated as shown (Detail 'G'&'H'). Pits to be inspected, maintained & sediment removed at regular intervals & following rain events.



© PORT STEPHENS COUNCIL 2004

DATUM	SCALES N.T.S.	DESIGNED: B LITTLE June '97	THESE DRAWINGS HAVE BEEN CHECKED ON SITE AND ARE RECOMMENDED DESIGN ENGINEER DATE	 ... a community partnership	EROSION AND SEDIMENT CONTROL MEASURES FOR URBAN WORKS – CONSTRUCTION PHASE	FILE No: -	No OF SHEETS: 1	SHEET No: 1
SHEET DESCRIPTION: EROSION CONTROL						PLAN No: S 143		
DIRECTORY: M:\Jobs\standards\esc_urb								